

STANDARD TRAVERSE SYSTEMS FOR LDV, PDPA AND PIV

FLUID MECHANICS

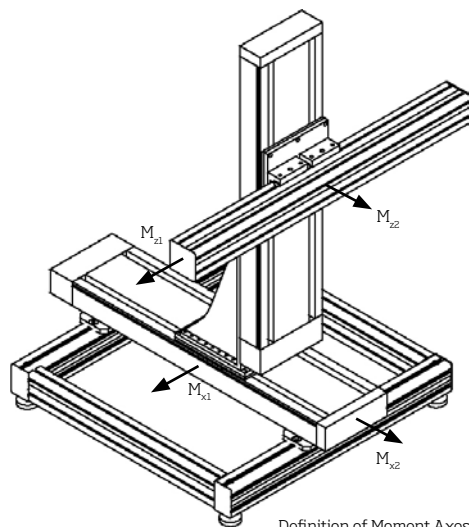


UNDERSTANDING, ACCELERATED

STANDARD TRAVERSE SYSTEMS FOR LDV, PDPA AND PIV

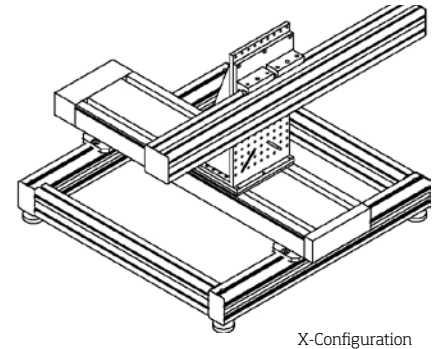
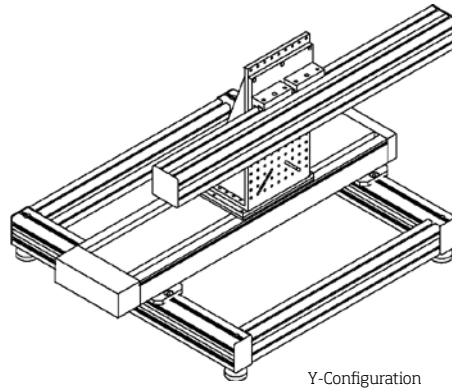
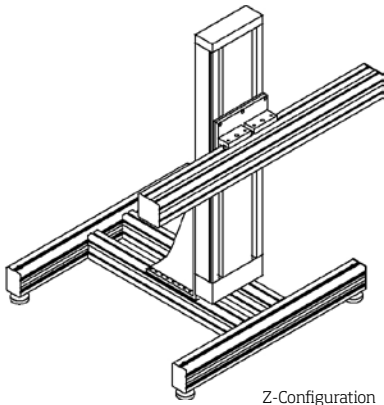
SPECIFICATIONS

Model	T1D/T1DE	T2D/T2DE	T3D/T3DE	T3DL/T3DLE	T3DH/T3DHE
Max Vertical Load on Z Axis (kg)	72	72	72	72	72
Max Static Moment Mz1 (kgm)	45	45	45	45	45
Max Static Moment Mz2 (kgm)	40	40	40	40	45
Max Vertical Load on X- or Y-Axis (kg)	1320	1320	1320	1320	1320
Max Static Moment Mx1 (kgm)	86	86	86	86	86
Max Static Moment Mx2 (kgm)	113	113	113	113	113
Vertical Axis Translational Speed at Max Load (mm/s)	25	25	25	25	25
Horizontal Axis Trans. Speed at Max Load (mm/s)	62.5	62.5	62.5	62.5	62.5
Accuracy (μm)	± 300	± 300	± 300	± 430	± 300
Resolution (μm)	6.25	6.25	6.25	6.25	6.25



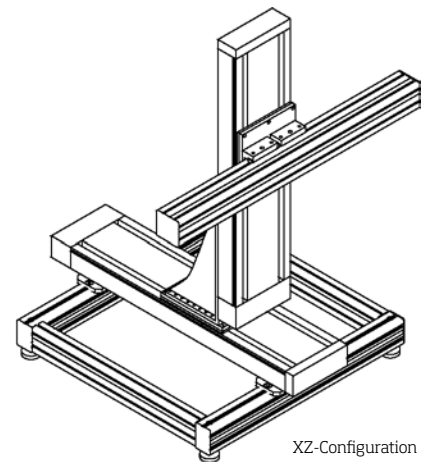
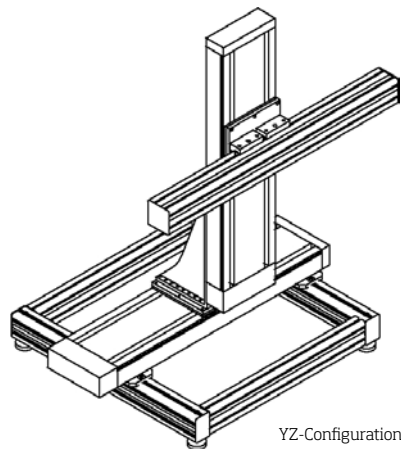
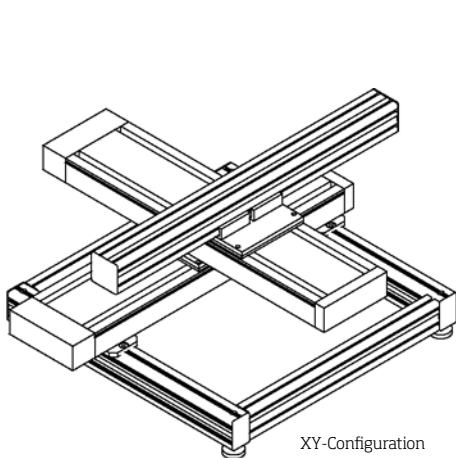
1D TRAVERSE SYSTEM (MODEL T1D)

Model	Description
T1D	1-Axis Traverse System, 600 mm, 115/220 VAC Controller
Use:	LDV Single Rail or L Rail, 1 or 2 Probes (including beam expanders) PIV Systems (see moment and load limit chart for exact limits)
Includes:	1D Traverse, Mounting Base, 1-Axis Controller, Hand-Control Unit
Note:	90 x 90 Bosch Rail shown is not included.



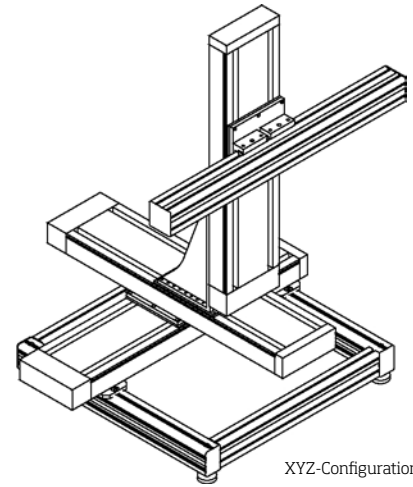
2D TRAVERSE SYSTEM (MODEL T2D)

Model	Description
T2D	2-Axis Traverse System, 600 x 600 mm, 115/220 VAC Controller
Use:	LDV Single Rail or L Rail, 1 or 2 Probes (including beam expanders) PIV Systems, (see moment and load limit chart for exact limits)
Includes:	2D Traverse, Mounting Base, 2-Axis Controller
Note:	90 x 90 Bosch Rail shown is not included.



3D STANDARD TRAVERSE SYSTEM (MODEL T3D)

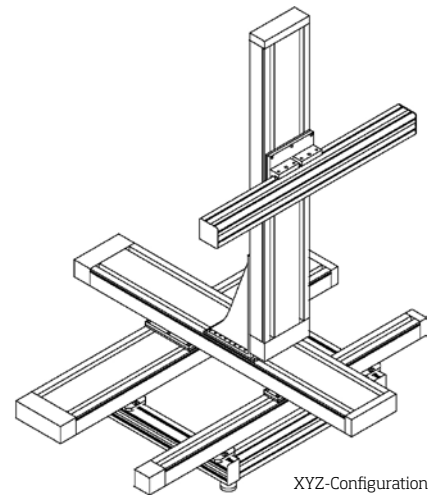
Model	Description
T3D	3-Axis Traverse System, 600 x 600 x 600 mm, 115/220 VAC Controller
Use:	LDV Single Rail or L Rail, 1 or 2 Probes (including beam expanders) PIV Systems, (see moment and load limit chart for exact limits)
Includes:	3D Traverse, Mounting Base, 3-Axis Controller, Hand Control Unit
Note:	90 x 90 Bosch Rail shown is not included.



XYZ-Configuration

3D LONG TRAVERSE SYSTEM (MODEL T3DL)

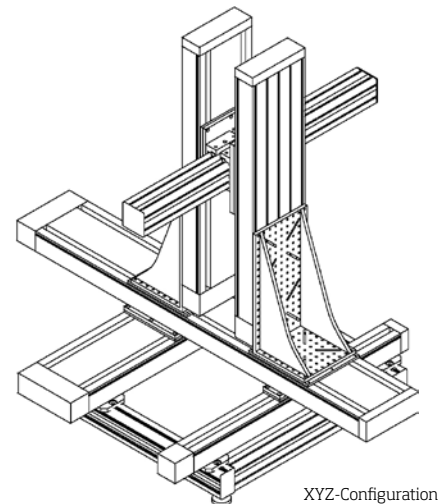
Model	Description
T3DL	3-Axis Long Traverse System, 1000 x 1000 x 1000 mm, 115/220 VAC Controller
Use:	LDV Single Rail or L Rail, 1 or 2 Probes (including beam expanders) PIV Systems, (see moment and load limit chart for exact limits)
Includes:	3D Traverse, Mounting Base, 3-Axis Controller
Note:	90 x 90 Bosch Rail shown is not included.



XYZ-Configuration

3D HEAVY-DUTY TRAVERSE SYSTEM (MODEL T3DH)

Model	Description
T3DH	3-Axis Heavy-Duty Traverse System, 600 x 600 x 600 mm, 115/220 VAC Controller
Use:	LDV Single Rail or L Rail or U Rail, 1, 2 or 3 probes (including beam expanders), (see moment and load limit chart for exact limits)
Includes:	3D Traverse, Mounting Base, 3-Axis Controller
Note:	90 x 90 Bosch Rail shown is not included.



XYZ-Configuration

HARDWARE AND MOUNT KITS

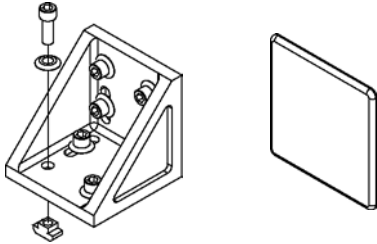
RAILS AND RAIL HARDWARE KITS

Model	Description
BRL050	0.50 meter 90 x 90 mm Bosch Rail
BRL075	0.75 meter 90 x 90 mm Bosch Rail
BRL100	1.00 meter 90 x 90 mm Bosch Rail
BRL150	1.50 meter 90 x 90 mm Bosch Rail
BRL200	2.00 meter 90 x 90 mm Bosch Rail
BRH-1	Single Rail Hardware Kit
BRH-2	L Rail Hardware Kit
BRH-3	U Rail Hardware Kit
M-STPIVS	Stereo PIV (sidescatter) Mount Kit
M-STPIVB	Stereo PIV (backscatter) Mount Kit
M-3DL	3D LDV (2 Probe) Mount Kit (not for TR 10 series or TR 20 series probes)
M-3DP	3D PDPA (2 Transmitter) Mount Kit (not for TR 10 series or TR 20 series probes)
M-L1	Single Probe LDV Mount Kit (not for TR 10 series or TR 20 series probes)
M-P2	1D or 2D PDPA Mount Kit (not for TR 10 series or TR 20 series probes)
M-P1 DPSS	1D OR 2D PDPA Mount Kit for PowerSight™ Module
M-L1 DPSS	1D OR 2D LDV Mount Kit for PowerSight™ Module
M-3DP-DPSS	3D PDPA Mount Kit for PowerSight™ Module
M-3DL- DPSS	3D LDV Mount Kit for PowerSight™ Module

STEREO PIV (SIDESCATTER) MOUNT KIT (MODEL M-STPIVS)

Model Description

- M-STPIVS Stereo PIV Mounting at side scattering
 M-STPIVB Stereo PIV Mounting at backscatter configuration
 Includes: Four Gussets with mounting hardware and three Bosch rail end caps



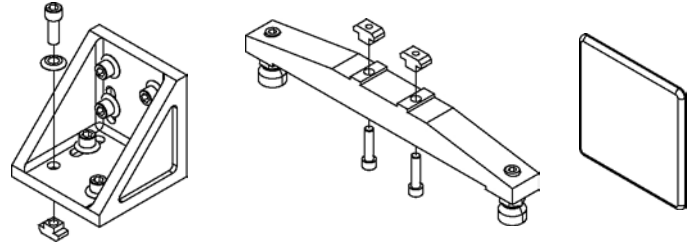
Gusset (4)

End Cap (3)

L RAIL HARDWARE KIT (MODEL BRH-2)

Model Description

- Includes: Two Gussets with mounting hardware, Three Bosch Rail Supports with mounting hardware and Three Bosch Rail End Caps



Gusset (2)

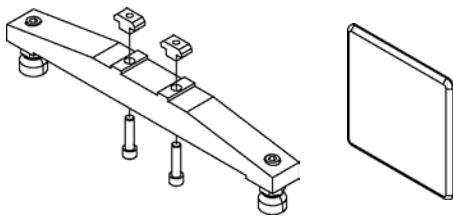
Rail Support (2)

End Cap (3)

SINGLE RAIL HARDWARE KIT (MODEL BRH-1)

Model Description

- Includes: Two Bosch Rail Supports with mounting hardware and Two Bosch Rail End Caps



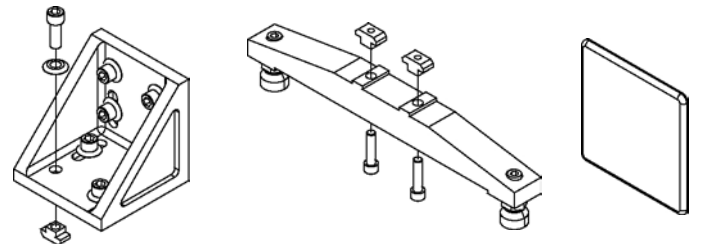
Rail Support (2)

End Cap (2)

U RAIL HARDWARE KIT (MODEL BRH-3)

Model Description

- Includes: Four Gussets with mounting hardware, Four Bosch Rail Supports with mounting hardware and Four Bosch Rail End Caps



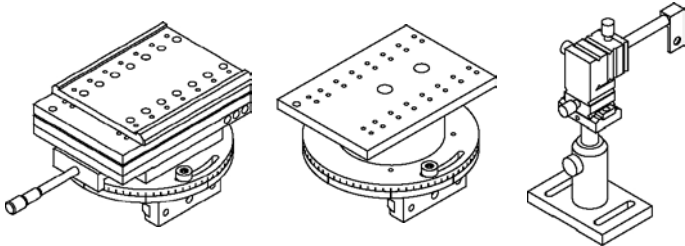
Gusset (4)

Rail Support (4)

End Cap (4)

3D LDV (2 PROBE) MOUNT KIT (MODEL M-3DL)

Includes: One Fixed Mount, One Adjustable Mount and One Pinhole Assembly



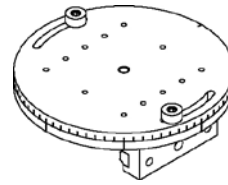
Adjustable Mount (1)

Fixed Mount (1)

Pinhole Assembly (1)

SINGLE PROBE LDV MOUNT KIT (MODEL M-L1)

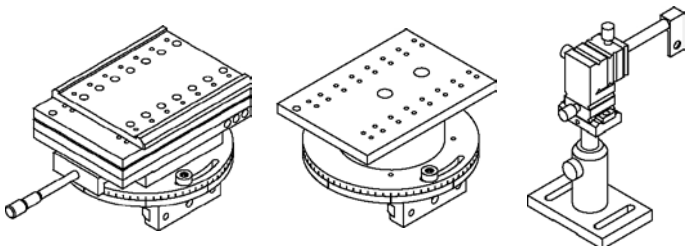
Includes: One Rotation Plate Assembly



Rotation Plate Assembly (1)

3D PDPA (3 PROBE) MOUNT KIT (MODEL M-3DP)

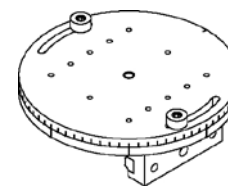
Includes: Two Fixed Mounts, One Adjustable Mount and One Pinhole Assembly



Adjustable Mount (1)

Fixed Mount (1)

Pinhole Assembly (1)

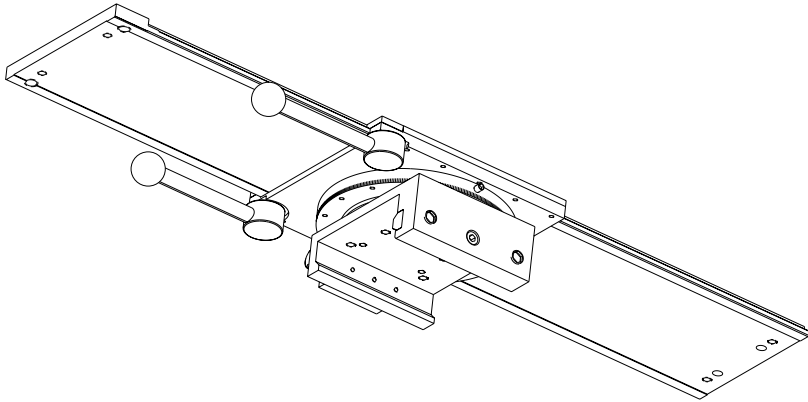


Rotation Plate Assembly (2)

1D OR 2D PDPA MOUNT KIT (MODEL M-P2)

Includes: Two Rotation Plate Assemblies

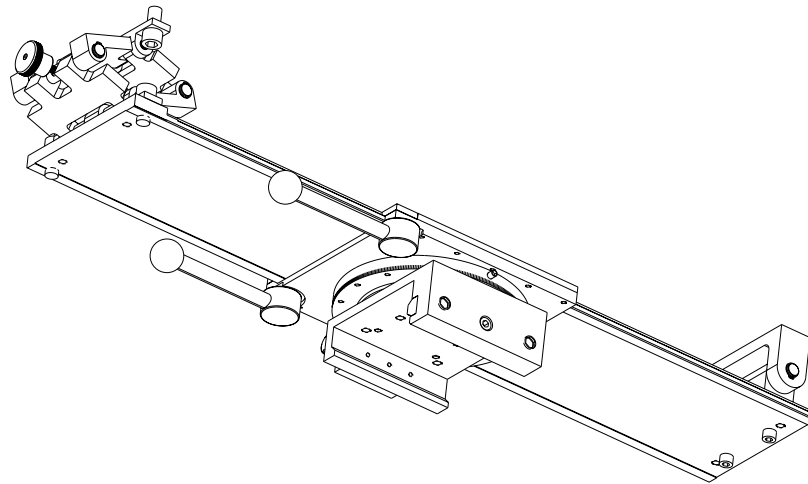
MOUNTING KIT FOR SINGLE POWERSIGHT
MODULE FOR 1D OR 2D ARRANGEMENT
(MODEL M-PI-DPSS OR M-LI-DPSS)



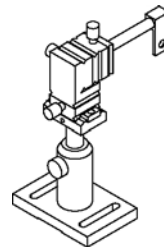
Traverse mount (1)

MOUNTING KIT FOR TWO POWERSIGHT
MODULE FOR 3D ARRANGEMENT
(MODEL M-3DP-DPSS OR M-3DL-DPSS)

Includes: Pinhole assembly for alignment and two traverse mounts



Traverse mount (2)



Pinhole Assembly (1)



UNDERSTANDING, ACCELERATED

TSI Incorporated - Visit our website www.tsi.com for more information.

USA Tel: +1 800 874 2811
UK Tel: +44 149 4 459200
France Tel: +33 1 41 19 21 99
Germany Tel: +49 241 523030

India Tel: +91 80 67877200
China Tel: +86 10 8219 7688
Singapore Tel: +65 6595 6388